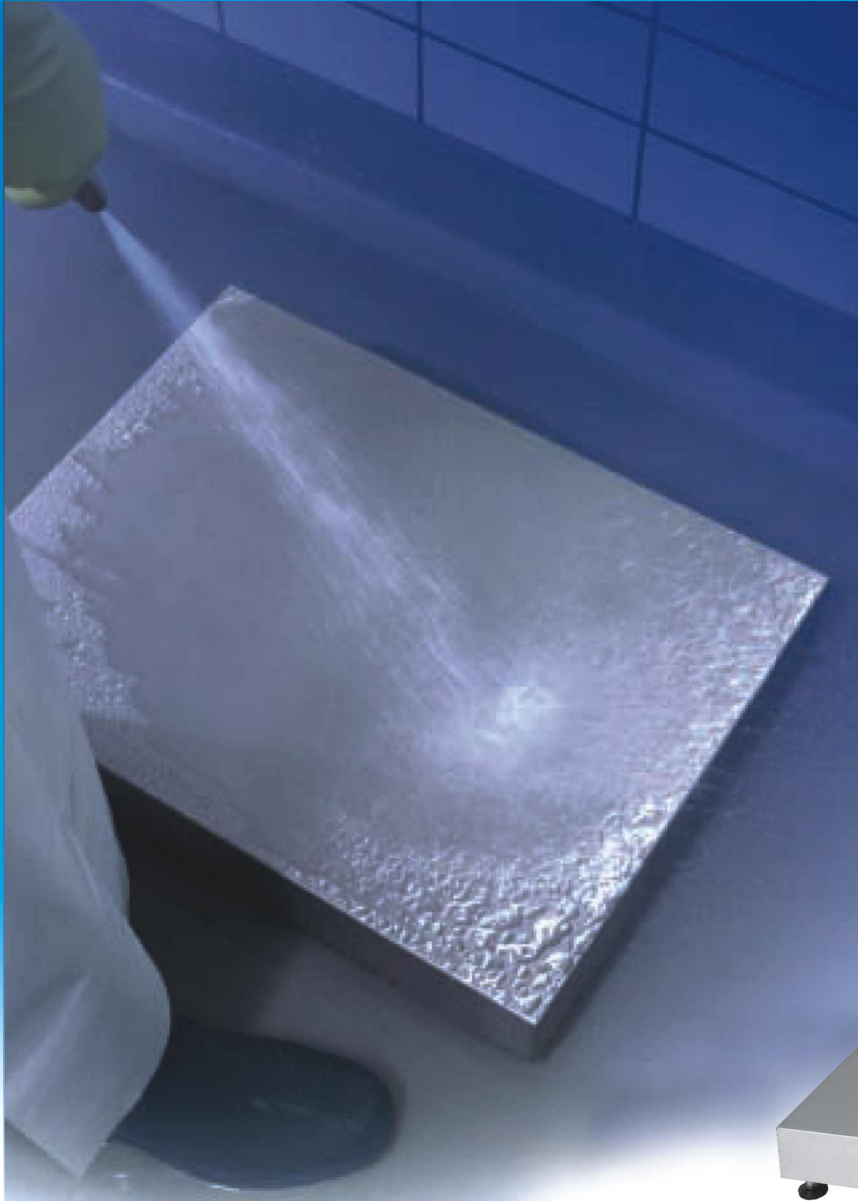


Wash Down Scale



IND215 Scale

Complete stainless steel scale

Easy to clean



Wash-Proof IND215 Scale

Efficient weighing in extremely wet conditions

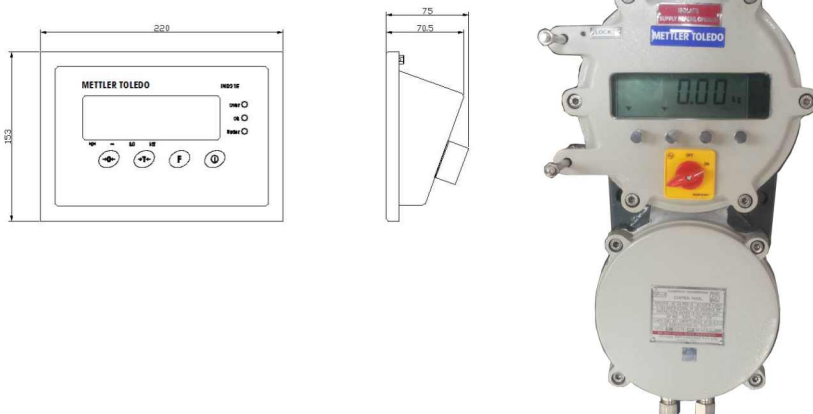
METTLER TOLEDO

Uncompromising cleanliness - where it really matters!

Technical Specifications

Terminal	IND215
Dimensions (WxHxD)	220 x 153 x 70.5 mm
Construction	Stainless Steel
Mounting	Mounting to wall, desks or column via included bracket
Power Supply	230 VAC, 50 Hz
Operating Temperature	-10°C to +40°C
Storage temperature	-20°C to +60°C
Protection	IP67
Display	Weight Value : 7-digit LCD with Weight Backlit display, 6 numbers, 25mm-high
	3 colour LED indicators
	8 status indicators
Keys	4 function keys
Scale Interface	One analog scale
Load Cell	1 load cell
Data Interface	Com1 RS232
Weighing Functions	Simple Weighing
	Checkweighing
Resolution	Maximum 7500d

Dimensions (mm)



www.mt.com

For more information



Mettler-Toledo India Private Limited

Amar Hill, Saki Vihar Road, Powai, Mumbai - 400072

● Tel : 91 - 22 - 4291 0111 ● Fax : 91 - 22 - 2857 5071
● Email : sales.mtin@mt.com ● Website : www.mt.com

Service Toll Free number: 1800 22 8884

Service feedback: servicecare.mtin@mt.com

